

Installation Instructions: Lumo Wallpack: 11500/11501

Read these instructions before installation and retain for future reference

This equipment should be installed by a competent electrician



Important Information



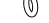



We recommend that luminaires are installed by a qualified electrician ensuring the installation complies with current IEE wiring regulations BS7671:2018 & local building control.

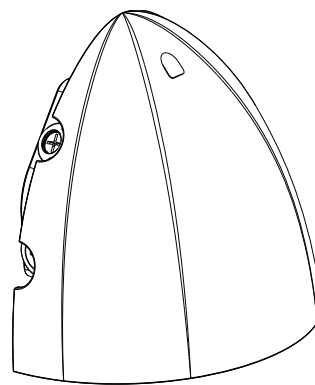
- BELL will not accept responsibility for any claims arising from a poor installation.
- Do not cover with any insulation.

This product may contain substances that can be hazardous to the environment if not disposed of properly. Electrical and electronic equipment should never be disposed of with general household waste but must be separated for its correct treatment and recovery.

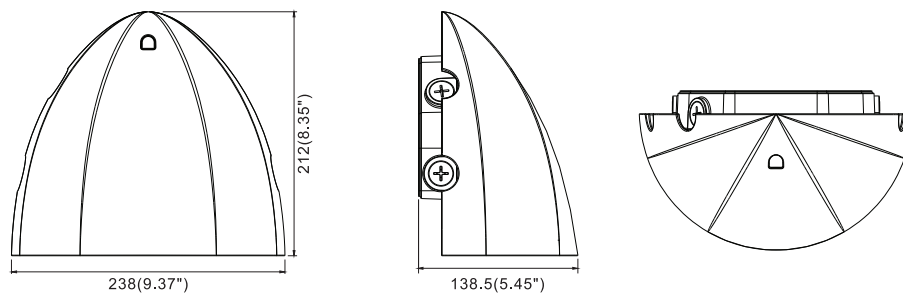
Where possible recycle your packaging.



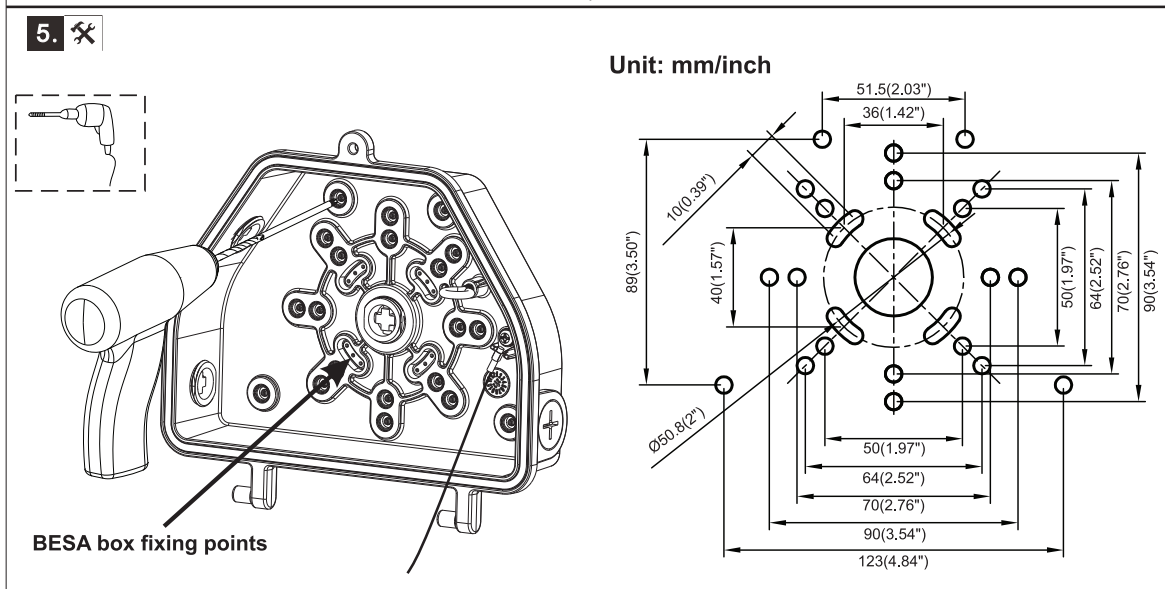
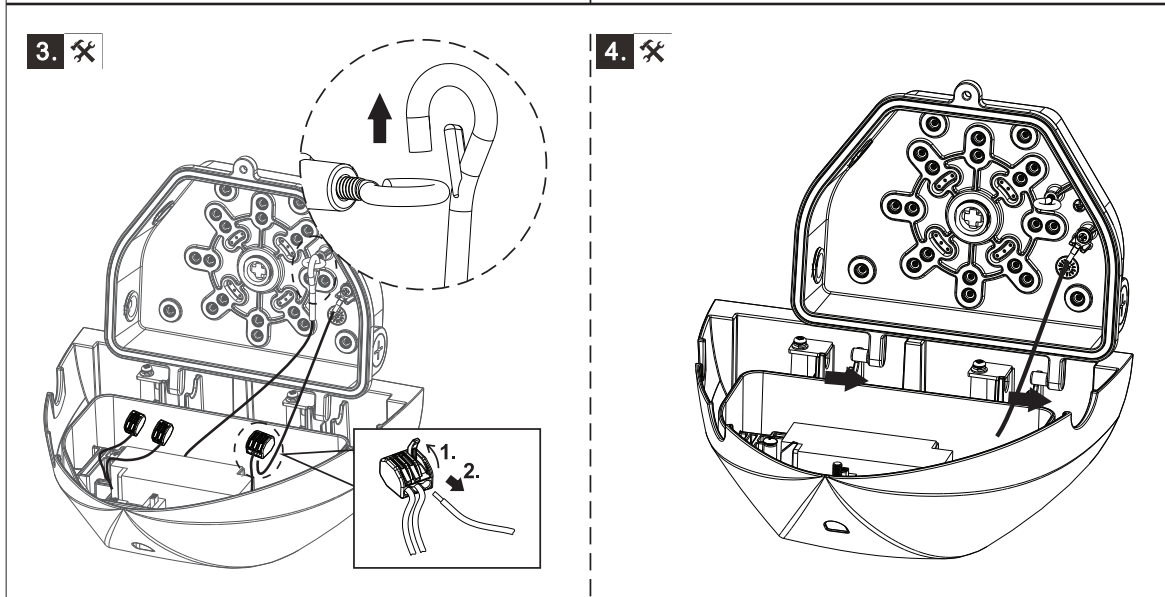
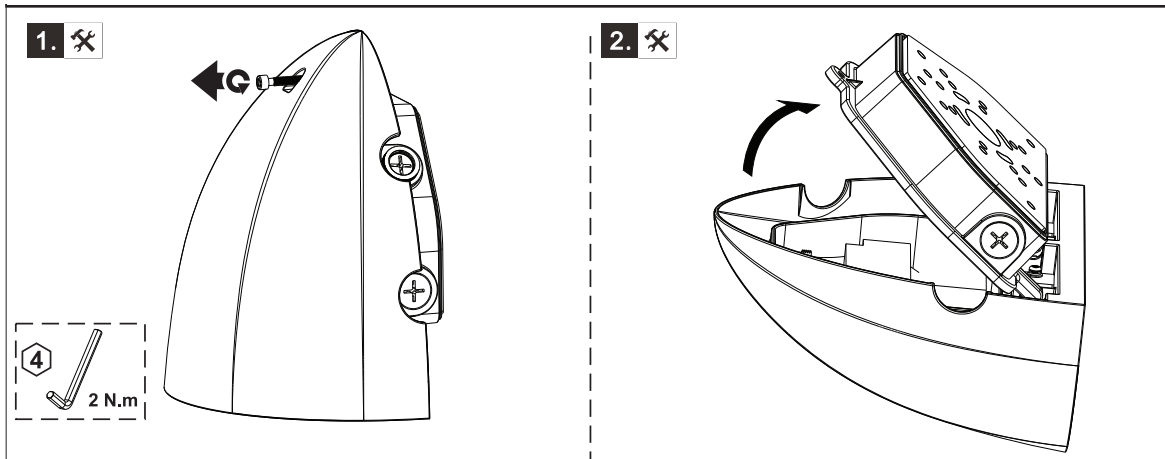
Packing List		
Screws		4pcs
Expansion screws		4pcs
Silicone seals		4pcs
EVA		1pcs
Rubber stopper		1pcs
Waterproof connector		1pcs

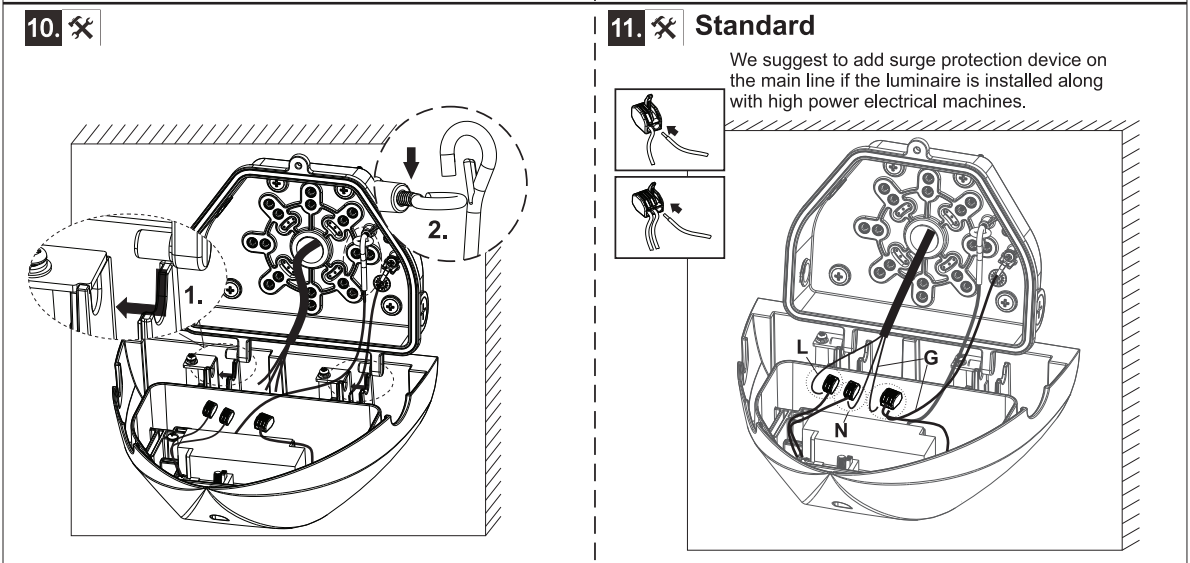
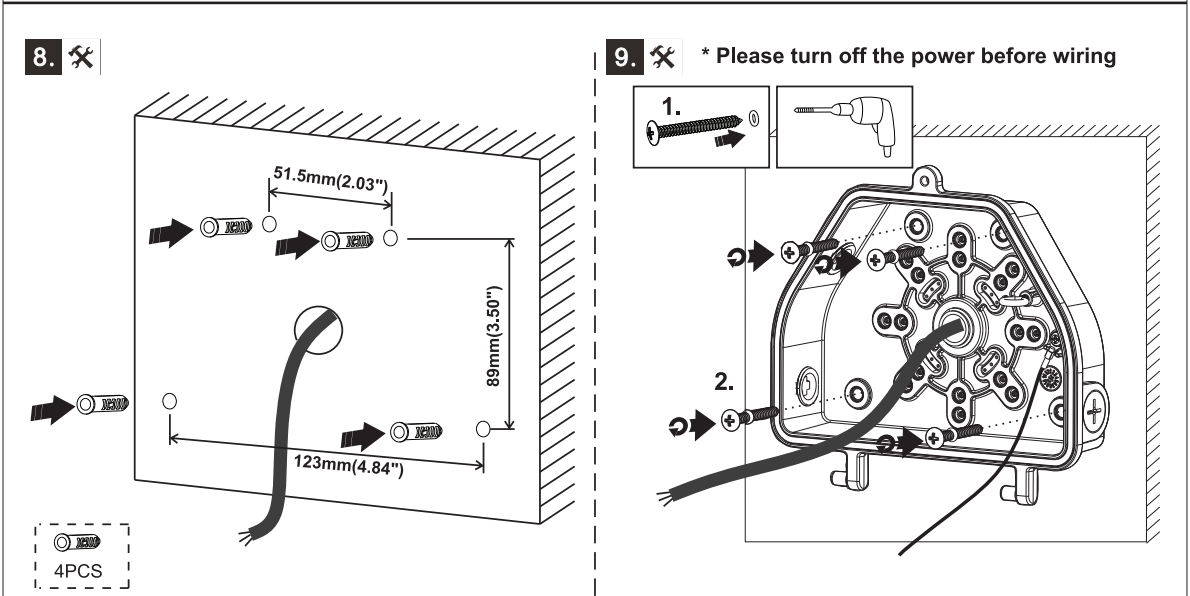
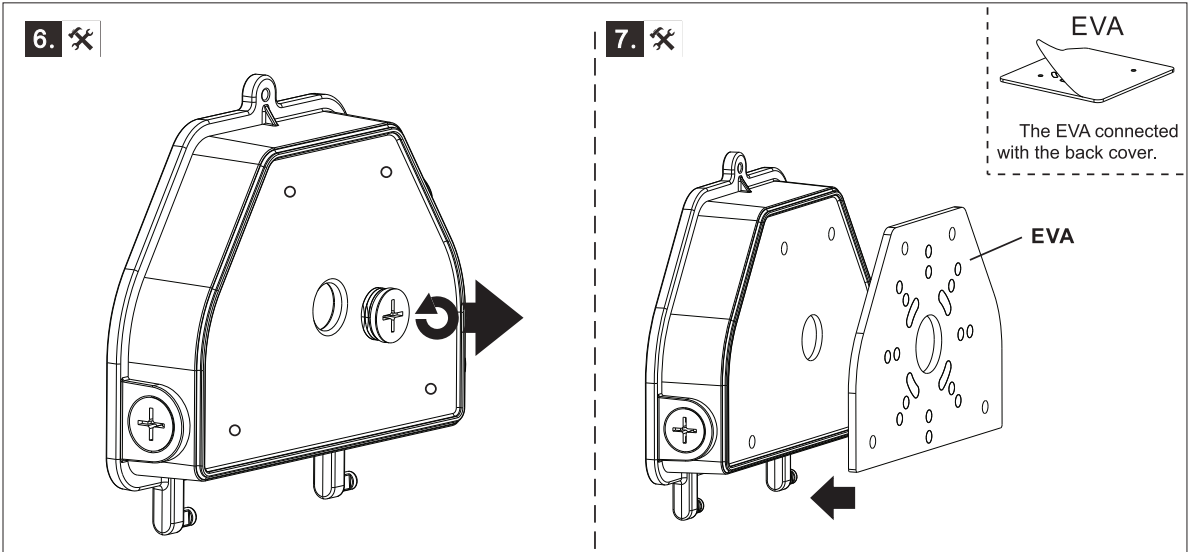


Physical Dimensions (Unit: mm/inch)

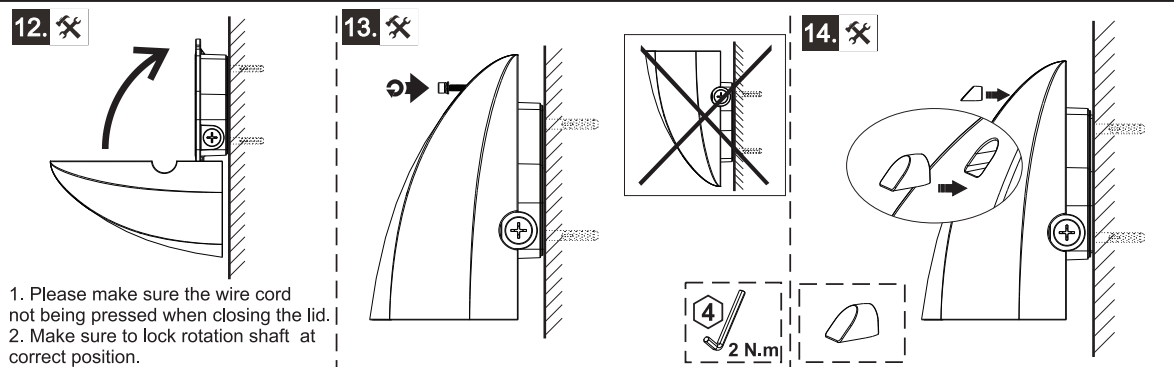
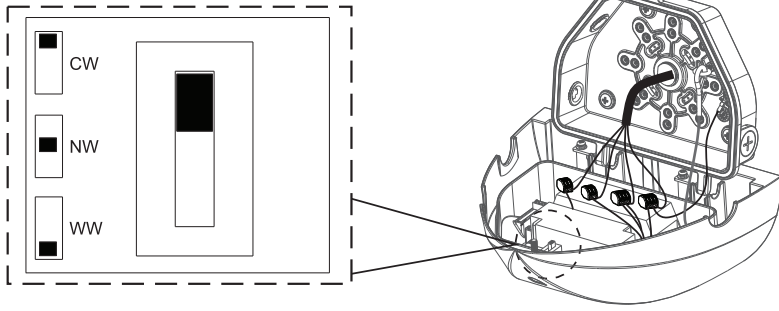


Product Specifications	25W (Standard)	25W (Emergency)
Input Voltage	220-240 VAC / 100-277 VAC / 120-277 VAC / 100-240 VAC (Subject to the input voltage on nameplate)	
Power Frequency	50 / 60 Hz	
Outlook Dimensions	238x212x138.5mm (9.37"x8.35"x5.45")	
Luminaire Net Weight	1.9±0.3kg (4.19±0.66Lbs)	2.1±0.3kg (4.63±0.66Lbs)
Working Temperature	-30°C to +45°C (-22°F to +113°F)	0°C to +40°C (32°F to +104°F)
Storing Temperature	-40°C to +70°C (-40°F to +158°F)	0°C to +50°C (32°F to +122°F)
Emergency Time	/	3 hours (2W)
Battery	/	3.7V 3000mAh





3 CCT Switchable



1. Please make sure the wire cord not being pressed when closing the lid.
2. Make sure to lock rotation shaft at correct position.

L	■ brown	■ black
N	■ blue	■ white
⊕ GND	■ yellow/green	■ green

- For type Y attachments:
if the external flexible cable or cord of this luminaire is damaged, it shall be exclusively replaced by the manufacturer or his service agent or a similar qualified person in order to avoid a hazard.
- The light source contained in this luminaire shall only be replaced by the manufacturer or his service agent or a similar qualified person.